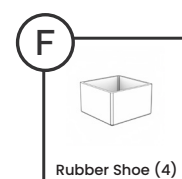
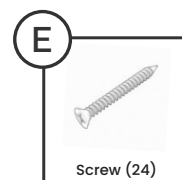
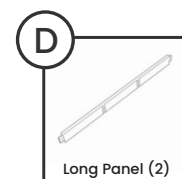
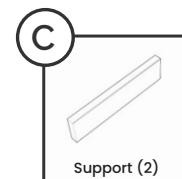
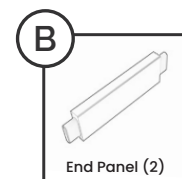
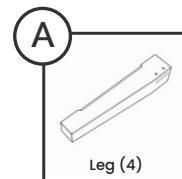
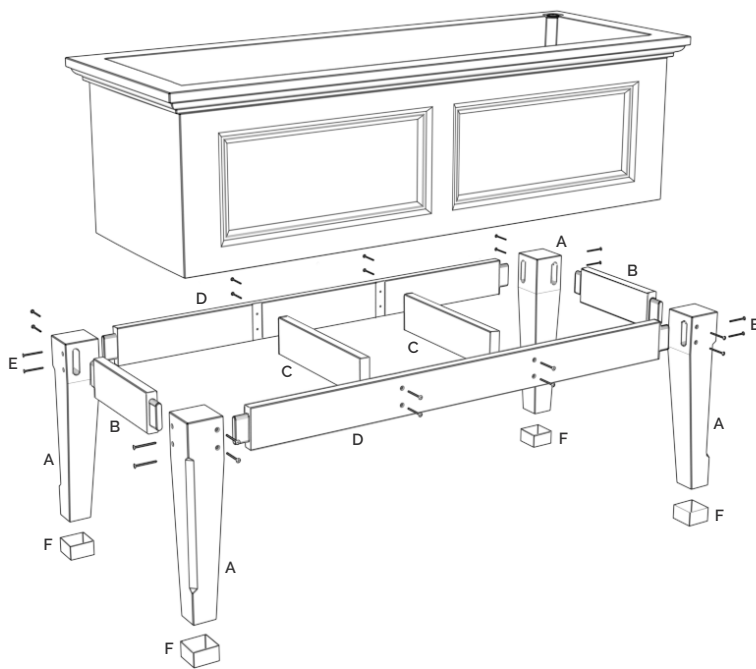


Fairfield

Elevated Garden Bed

PACKAGING CONTENTS:



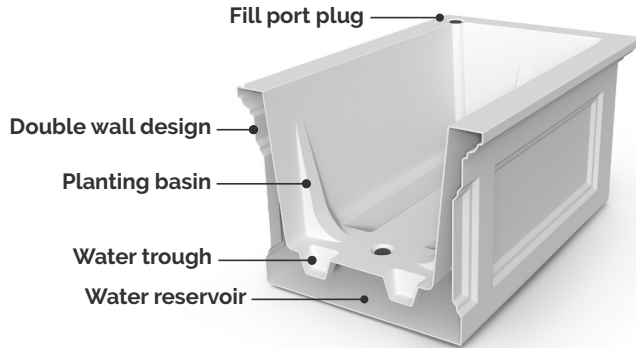
MAYNE[®]

Bring life to your home & garden

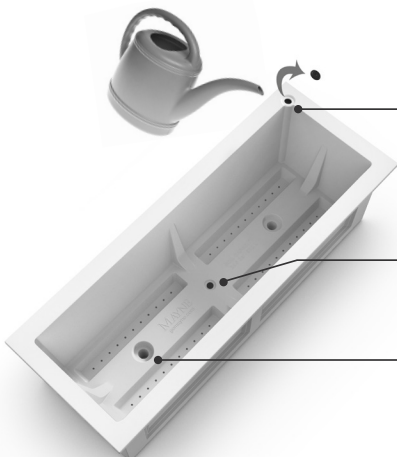
For customer service inquiries call toll free at 866-363-8834 or email customerservice@gomayne.com. For more information visit gomayne.com.

General Planting Recommendations

Polyresin Planter
UV Protected
Shock Resistant
All Weather Material



- This outdoor planter has a built-in water reservoir and pre-drilled overflow hole to ensure your plants have consistent moisture without being oversaturated.
- Avoid using garden soil or top soil for container planting, it's often too dense and restricts air circulation. A potting mix is strongly recommended and will ensure better plant growth.
- Rinse clean with a garden hose; for a deeper clean, use a power washer. The cedar base should be re-stained every 3 years, to extend the life of the product.
- Mayne offers a limited 15-year warranty on the planter and a 1-year warranty on all hardware and wooden components.



Remove fill port plug for direct access to the water reservoir.

The plastic plug at the bottom of the planter helps seal a vent created during the manufacturing process. No need to remove this plug.

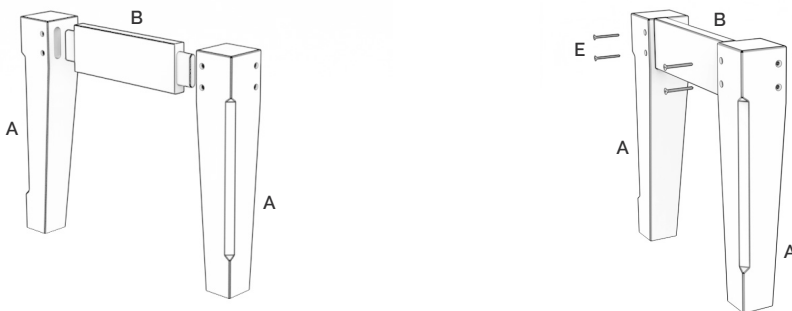
Planter has 2 built-in overflow holes.



Fairfield Elevated Garden Bed

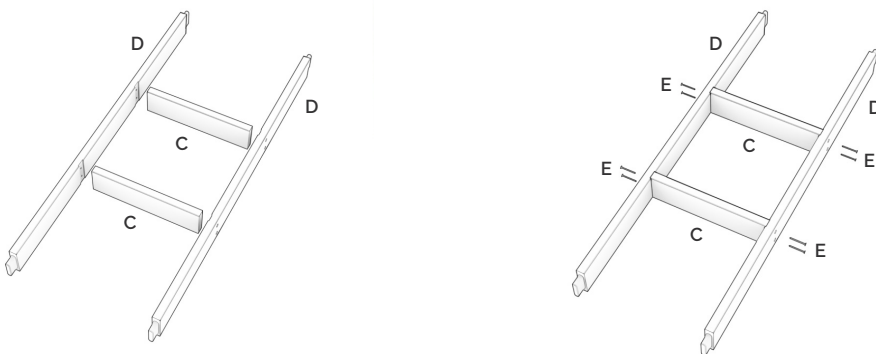
1 Assemble Side Frames

Attach 2x Legs (A) to 1x End Panel (B) with 4x Screws (E). Repeat to assemble the other End Panel. Important: Be careful when assembling the wood stand to not overtighten the screws.



2 Assemble Main Frame

Attach 2x Supports (C) to 2x Long Panels (D) with 8x Screws (E).



TOOLS REQUIRED:



Cordless Drill

OR



Screwdriver

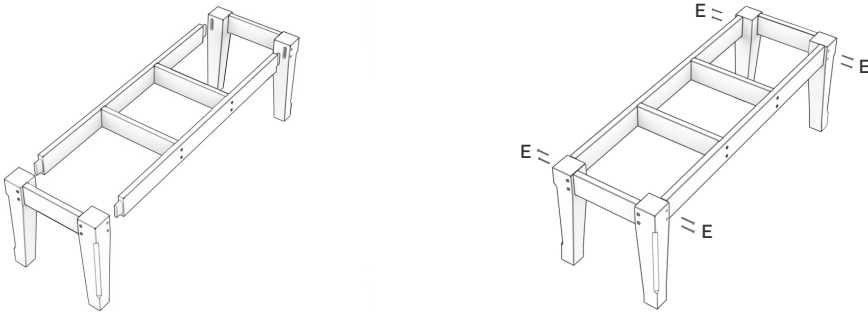
Since cedar is a softer wood, we recommend using a screwdriver when assembling. If using a power drill, be sure to use a low torque setting.

Assembly Guide #MIS136/Model #4890

3 Complete Wooden Base

Attach the side frames to the main frame using 8x Screws (E).

Optional: Place 4x Rubber Feet (F) at the bottom of Legs (A) for extra support.



4 Plant and Enjoy!

Place the Planter on top of the completed base to finish assembling the Elevated Garden Bed.

